



LABYRINTH ENDCAPS & SEALS

Catalogue and Datasheet



Table of Contents

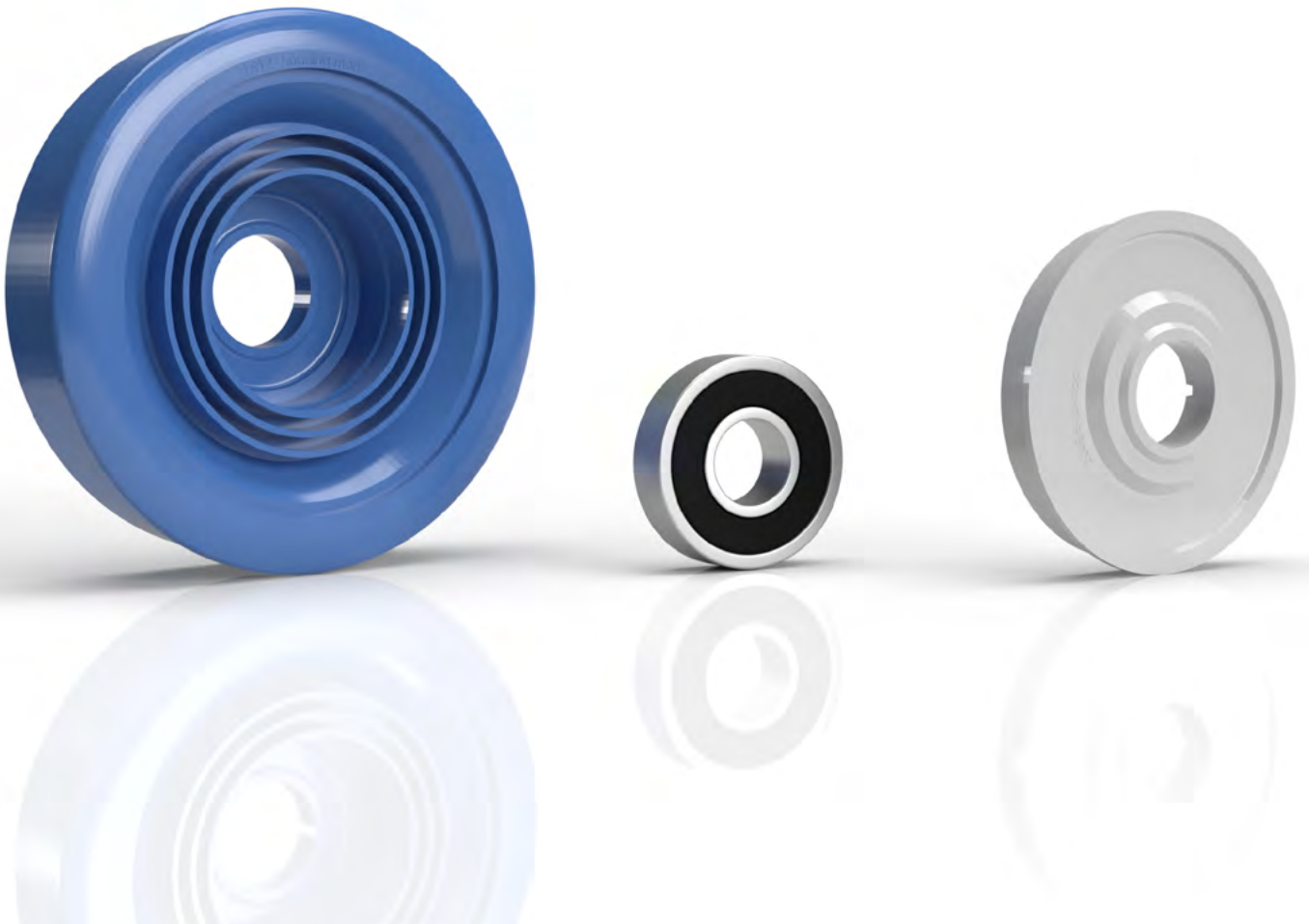
1. Introduction	3
2. Labyrinth Endcaps	4
3. Labyrinth Seals	6
4. Get In Touch	8

INTRODUCTION

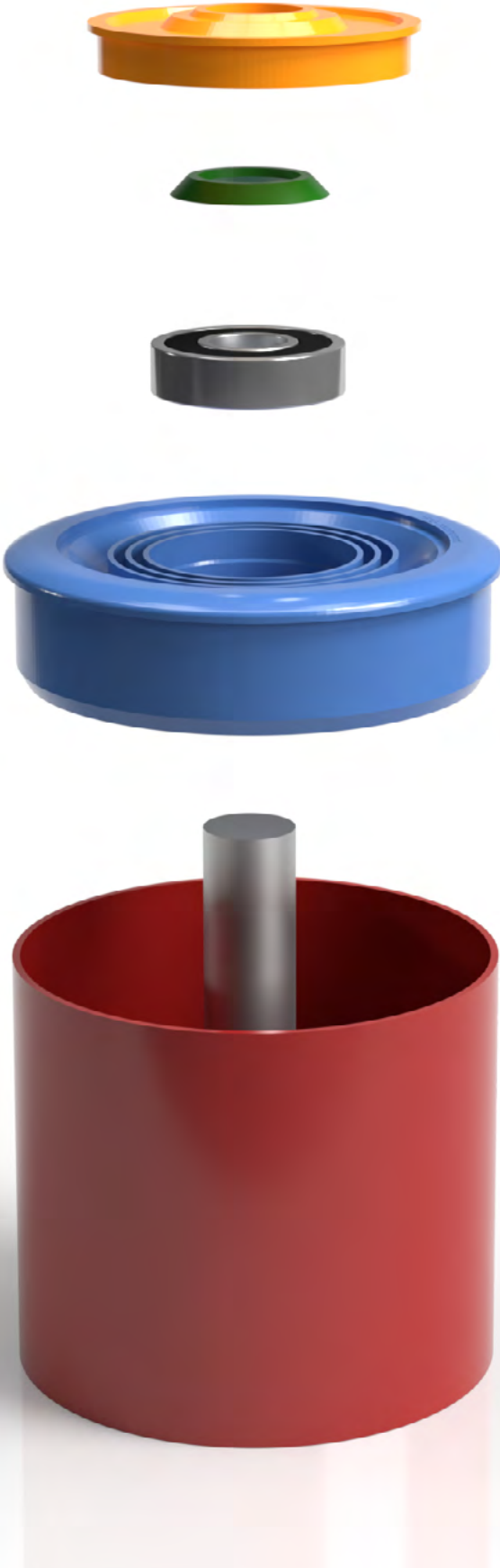
The Labyrinth Bearing Endcap range from ExactoCraft is a game-changer for industries dealing with constant contamination and debris issues.

Our innovative labyrinth technology guarantees the seamless and productive performance of roller conveyors, even in rugged industrial and mining settings. By effectively blocking harmful debris, it safeguards the roller bearings from damage.

Say goodbye to costly maintenance and downtime, and say hello to a reliable solution that keeps your operations running smoothly for longer.

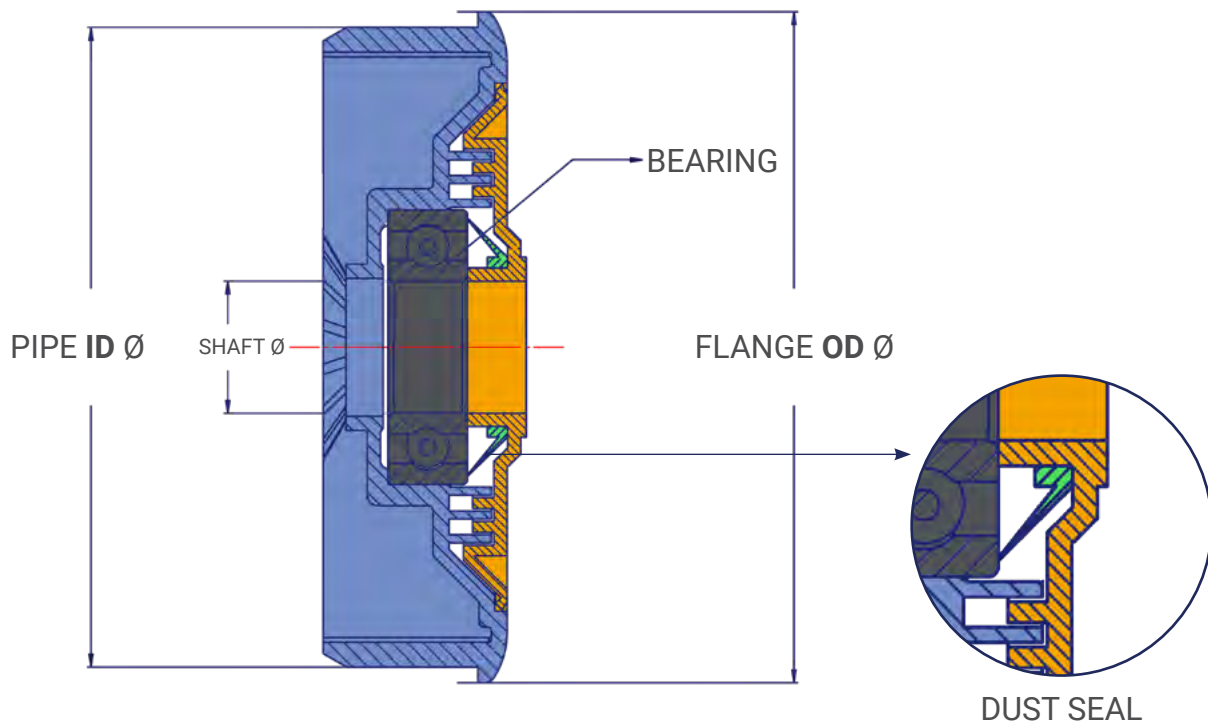


LABYRINTH ENDCAPS



LABYRINTH ENDCAPS

	STANDARD SPECIFICATIONS:	ON REQUEST:
MATERIALS: ENDCAP HOUSING	Glass-filled PA66 Nylon	Flame Retardant, Glass-Filled PA66
MATERIALS: ENDCAP LID	Glass-filled PA6 Nylon	Flame Retardant, Glass-Filled PA66
STANDARD COLOUR	Black	Colour Matching Available
BEARING COMPATIBILITY	420205 SKF Bearing	
(Bearings supply by cust.)	6205 Bearing	
SHAFT DIAMETER	25mm	
EARTH WIRE	Optional	



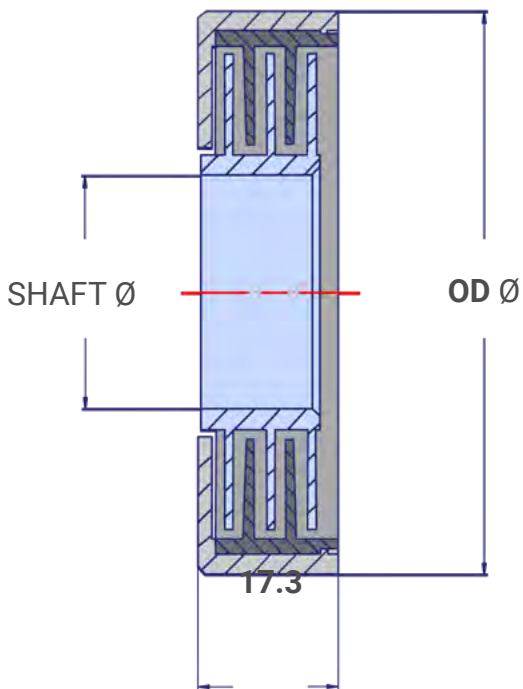
PRODUCT DESCRIPTION	SHAFT Ø	BEARING	FLANGE OD Ø	AVAILABLE PIPE ID Ø OPTIONS (Ranges from - to, to meet customer req.)
3.1452.x.xxx LABYRINTH ENDCAP	Ø 25mm	420205	Ø 127mm	Ø 119.0mm - Ø 120.0mm
3.1512.x.xxx LABYRINTH ENDCAP	Ø 25mm	6205	Ø 127mm	Ø 119.0mm - Ø 121.5mm
3.2048.x.xxx LABYRINTH ENDCAP	Ø 25mm	6205 / 420205	Ø 102mm	Ø 95.0mm - Ø 96.0mm
3.1413.x.xxx LABYRINTH ENDCAP	Ø 25mm	6205 / 420205	Ø 125mm	Ø 109.5mm - Ø 110.5mm
3.2476.x.xxx LABYRINTH ENDCAP	Ø 25mm	6205 / 420205	Ø 114mm	Ø 107.5mm - Ø 108.5mm

LABYRINTH SEALS

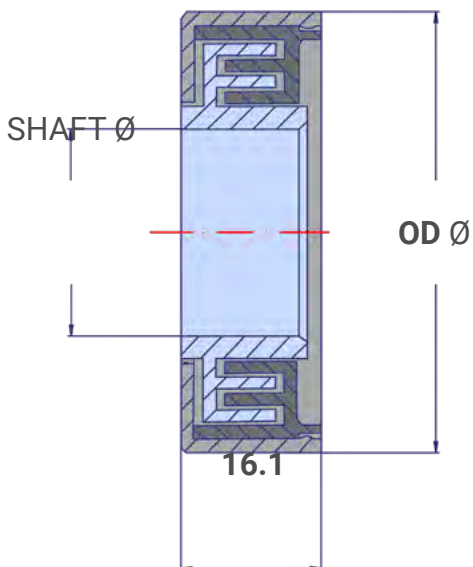


LABYRINTH SEALS

	STANDARD SPECIFICATIONS:	ON REQUEST:
MATERIALS	Glass-filled PA66 Nylon	Flame Retardant, Glass-Filled PA66
STANDARD COLOUR	Black	Colour Matching Available
GREASING	Optional	
SPACER/CHECK SEAL		For Specific Applications



PRODUCT DESCRIPTION	SHAFT Ø	OD Ø
3.1607.x.xxx LABYRINTH SEAL	Ø 30mm	Ø 72mm
1.2706.x.xxx FLINGER FOR 1607	Ø 30mm	Ø 94mm
1.1157.x.xxx FLINGER FOR 1607	Ø 30mm	Ø 90mm



PRODUCT DESCRIPTION	SHAFT Ø	OD Ø
3.2373.x.xxx LABYRINTH SEAL	Ø 25mm	Ø 52mm
1.2922.x.xxx FLINGER FOR 2373	Ø 25mm	Ø 52mm

GET IN TOUCH

VISIT OUR WEBSITE
www.exactocraft.com

EMAIL US
info@exactocraft.com

